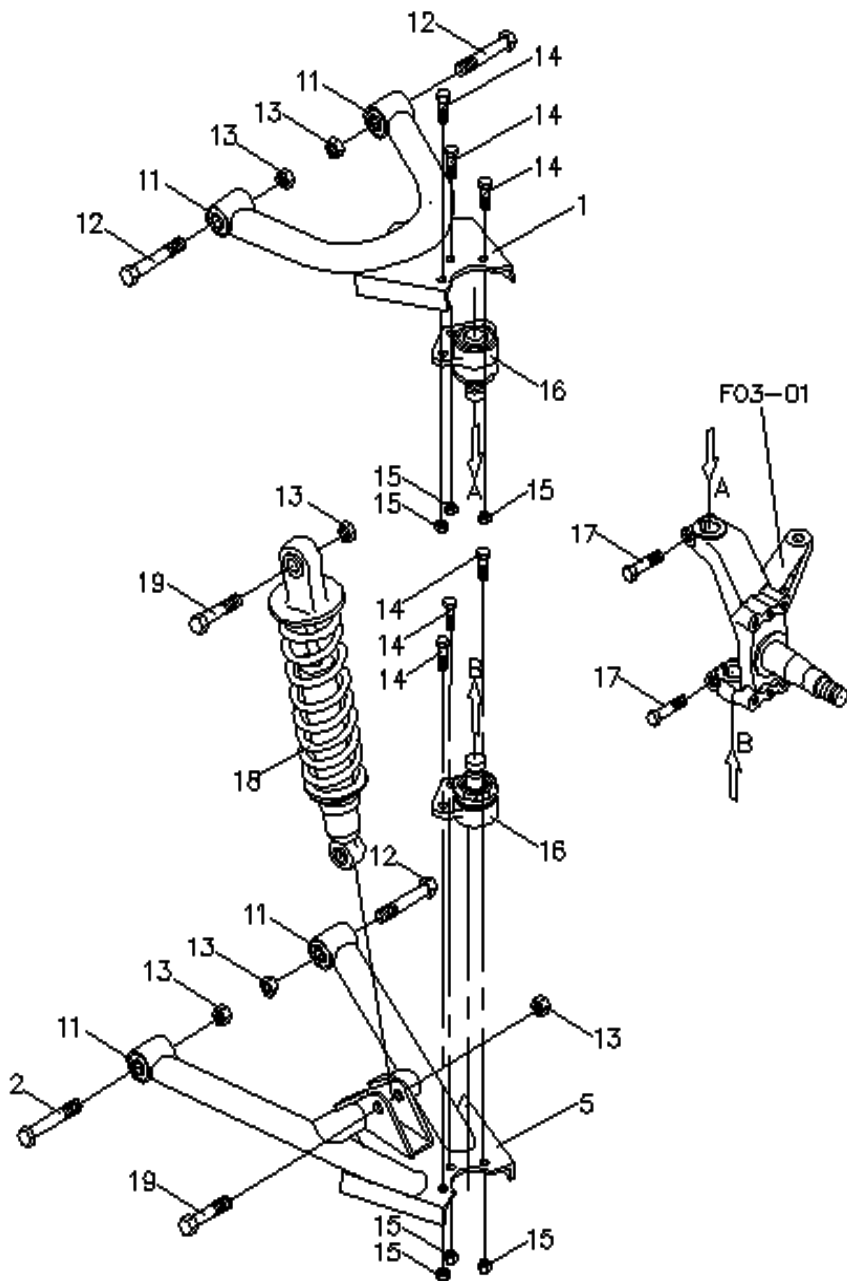
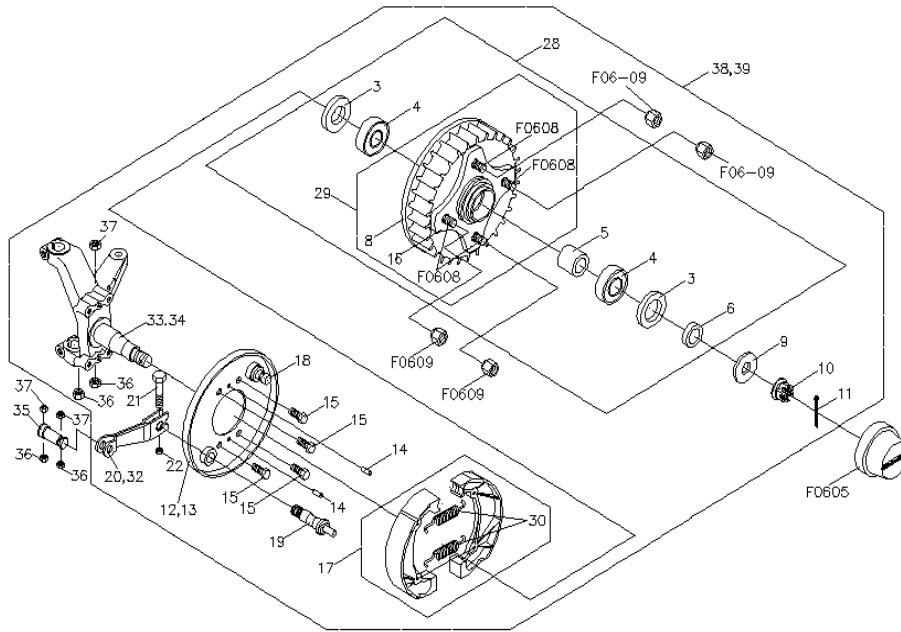


ITEM NO.	PARTS NO.	DESCRIPTION	QTY
F01-02	31106001020001	FRAME ASSY	1
F01-20	31106001100001	DUST CAP	4
F01-49	50102706020003	BOLT	4
F01-54	31106001040001	FOOTREST,RIGHT	1
F01-55	31106001050001	FOOTREAT, LEFT	1
F01-60	31106001060002	PADDLE, BRAKE	1
F01-61	31106001070001	RETURNING SPRING	1
F01-62	31106001080001	PADDLE,GEAR SHIFT	1
F01-65	50100206016001	BOLT	12
F01-66	50102712022001	BOLT	6
F01-68	50102708020002	BOLT	2
F01-69	50101308125001	NUT FLANGE	2
F01-70	50102000600001	WASHER	12
F01-71	50103302020001	COTTER PIN	1
F01-72	31106001150001	AIR CLEANER	1
F01-73	50102706020003	BOLT	1
F01-74	50100510040001	BOLT	1
F01-75	50101210015001	NUT	1
F01-76	31106001150002	AIR CLEANER TRAP COMP	1
F01-77	31106001170002		1
F01-78	31106001180001		1
F01-79	31106001190001		1
F01-80	50102000600012	WASHER	2
F01-81	50100606045001	BOLT	1
F01-82	50101306100001	NUT	2
F01-84	31106008050001	PLUG	5
F01-85	31106001250001		1
F01-86	31106001200002		1
F01-87	31104001080001		2
F01-90	31106001230001		1
F01-91	31106001240001		1
F01-92	50102001000007	WASHER	1

F01-93	50101700900001		1
F01-94	50100606050002		1
F01-95	31106001260001		1
F01-96	31106001270001		2
F01-97	50102708090002		3
F01-98	31106001090001		1
F01-99	50103603006001		2

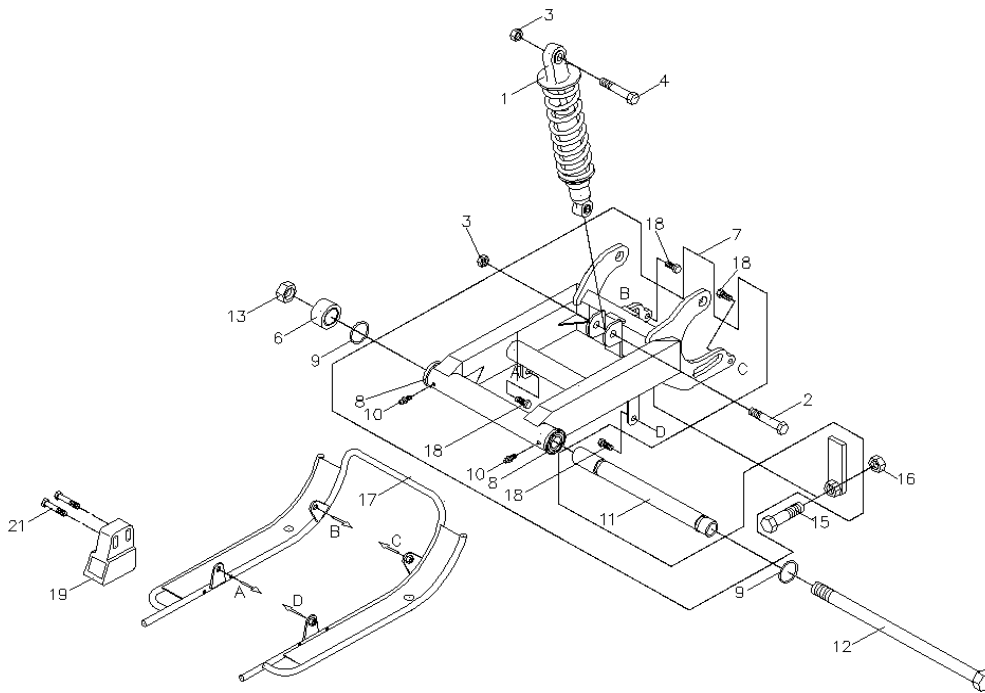


ITEM NO.	PARTS NO.	DESCRIPTION	Q'TY
F02-01	31106002010002	A ARM,UPPER	2
F02-05	31106002020002	A ARM,LOWER	2
F02-11	31106002060001	RUBBER BUSH	8
F02-12	50102710060003	BOLT	8
F02-13	50101510125001		12
F02-14	50102707020002	BOLT	12
F02-15	50101507100001	NUT	12
F02-16	31106002030001	BALL JOINT	4
F02-17	50102708032002	BOLT	4
F02-18	31106002040001	SHOCK ABSORBER	2
F02-19	50102710044001	BOLT	4

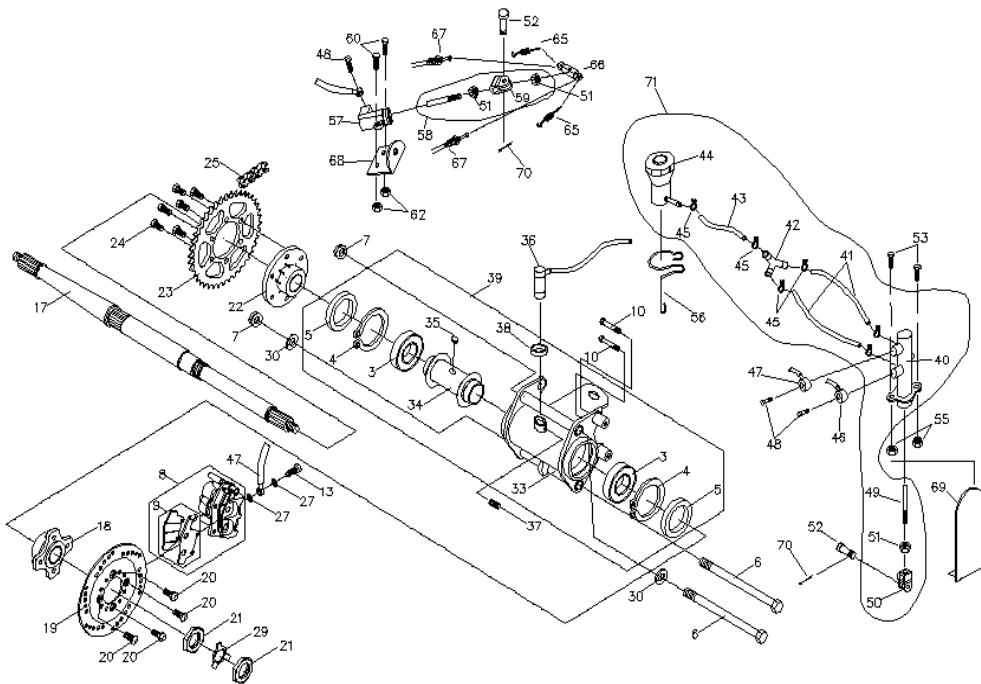


ITEM NO.	PARTS NO.	DESCRIPTION	Q'TY
F03-03	50200204700002	OIL SEAL, INNER	4
F03-04	50300102000008	BEARING	4
F03-05	31106003050001	COLLAR, INNER	2
F03-06	31106003060001	COLLAR, OUTER	2
F03-08	31106003070001	BRAKE DRUM, FRONT	2
F03-09	50102002000006	WASHER	2
F03-10	50102220150001	CASTLE	2
F03-11	50103303040001	COTTER PIN	2
F03-12	31106003080001	FRONT BRAKE PANEL, LEFT	1
F03-13	31106003090001	FRONT BRAKE PANEL, RIGHT	1
F03-14	31106003150001	DOWEL PIN	4
F03-15	50100608016001	BOLT	8
F03-16	31106003100001	SHAFT CONNECTOR	2
F03-17	31106003110001	BRAKE SHOE	2
F03-18	31106003120001	PIN, BRAKE	2
F03-19	31106003130001	CAM, FRONT BRAKE ARM	2
F03-20	31106003170001	ARM, FRONT BRAKE , L	1
F03-21	50102706034003	BOLT	2
F03-22	50101206080001	NUT	2
F03-28	31106003180001	BRAKE DRUM COMP.	2
F03-29	31106003190001	BRAKE DRUM, FRONT	2
F03-30	31106003200001	SPRING, BRAKE SHOE	4
F03-32	31106003220001	ARM , FRONT BREAK , R	1
F03-33	31106003030002	LEFT KNUCKLE	1
F03-34	31106003040002	RIGHT KNUCKLE	1
F03-35	31106003230001		2
F03-36	31106003240001		4
F03-37	50101306100001		4
F03-38	31106003010002		1

F03-39	31106003020002		1
--------	----------------	--	---

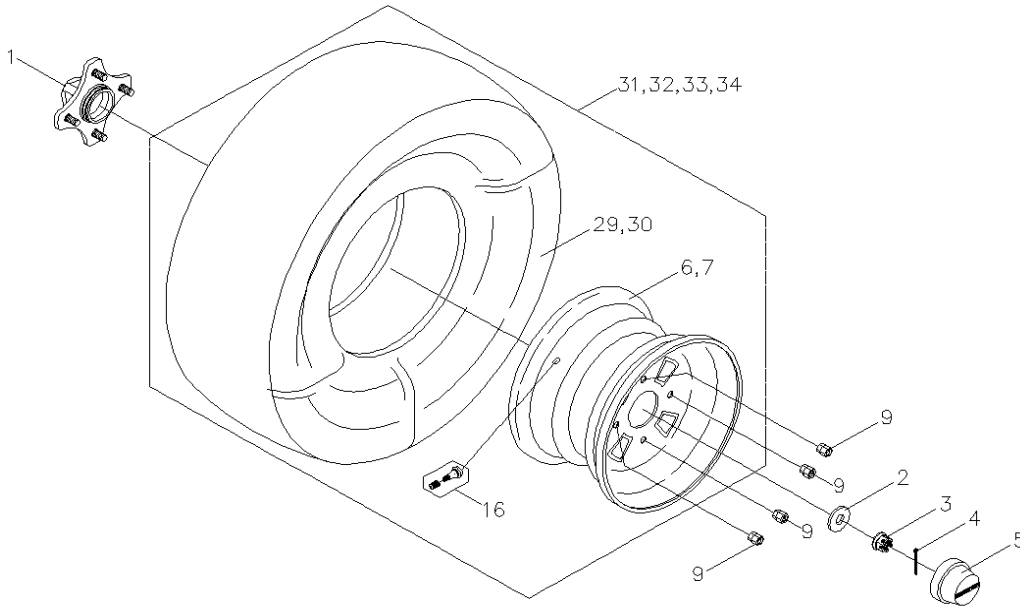


ITEM NO.	PARTS NO.	DESCRIPTION	Q'TY
F04-01	31106004010001	SHOCK ABSORBER, REAR	1
F04-02	50102712056002	BOLT	1
F04-03	50101512125001	NUT	2
F04-04	50102712058002	BOLT	1
F04-06	31106004020001	RUBBER SLEEVE	1
F04-07	31106004030002	SWING ARM(8,10)	1
F04-08	31106004090001	BUSH	2
F04-09	50200103300001	O-RING	2
F04-10	31106004040001	GREASE VALVE	2
F04-11	31106004080001	SPACER, SWING ARM	1
F04-12	50102720348002	BOLT	1
F04-13	50101220250001	NUT	1
F04-15	50102716080002	BOLT	1
F04-16	50101216150002	NUT	1
F04-17	31106004060001	PROTECT COVER	1
F04-18	50102708016001	BOLT	4
F04-19	31106004070001	CHAIN GUIDER	1
F04-21	50102708040003	BOLT	2

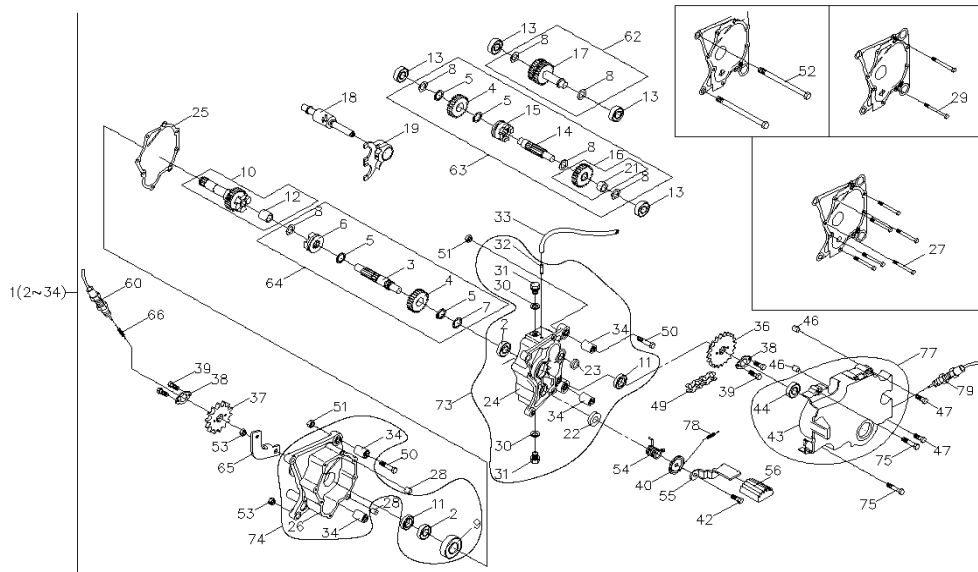


ITEM NO.	PARTS NO.	DESCRIPTION	Q'TY
F05-03	50300108000001	BEARING	2
F05-04	50101608000001		2
F05-05	50200208000001	OIL SEAL	2
F05-06	50102716215001	BOLT	2
F05-07	50101416150001	NUT	2
F05-08	31106005170002	BRAKE CALIPER, REAR	1
F05-09	31106005220001	BRAKE PAD	1
F05-10	50102708046002	BOLT	2
F05-13	31106005160001		1
F05-17	31106005060001	REAR AXLE	1
F05-18	31106005070001	DISC HUB REAR	1
F05-19	31106005080001	BRAKE DISC	1
F05-20	50100210015001	BOLT	4
F05-21	50101235150001	NUT	2
F05-22	31106005090001	SPROCKET HOLDER	1
F05-23	31106005100001	SPROCKET	1
F05-24	50102710018003	BOLT	6
F05-25	31106005110001	DRIVE CHAIN	1
F05-27	50102001000003	WASHER	8
F05-29	50102003500001	WASHER	1
F05-30	50102002300001	WASHER	2
F05-33	31106005010002		1
F05-34	31106005210002		1
F05-35	50102408002001		1
F05-36	31106005240001		1
F05-37	50100905008001		1
F05-38	50200201900001		1
F05-39	31106005180003		1

F05-40	31106005030001		1
F05-41	31106005250001		2
F05-42	31106005260001		1
F05-43	31106005270001		1
F05-44	31106005130001		1
F05-45	31106005280001		6
F05-46	31106005290001		1
F05-47	31106005300001		1
F05-48	31104005210001		3
F05-49	31106005310001		1
F05-50	31106005320001		1
F05-51	50101208000005		2
F05-52	50101208000005		2
F05-53	50102708028001		2
F05-55	50101308000002		2
F05-56	31106005400001		1
F05-57	31104005290001		1
F05-58	31104005300001		1
F05-60	50102710030002		2
F05-62	50101510125004	U-NUT	2
F05-65	31106005380001		2
F05-66	31104005360001		1
F05-67	31106005330001		2
F05-68	31106005370001		1
F05-69	31106005340001		1
F05-70	50103302020001		1
F05-71	31106005050002		1

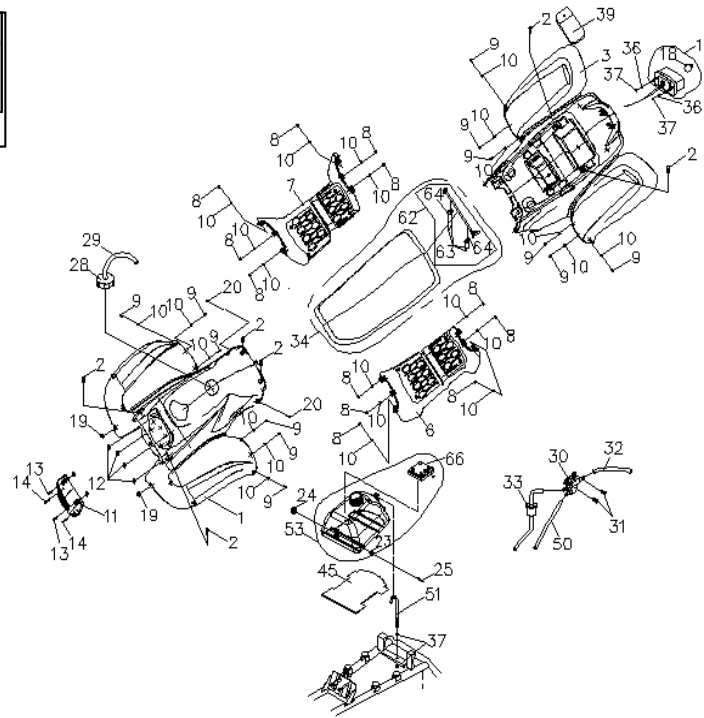
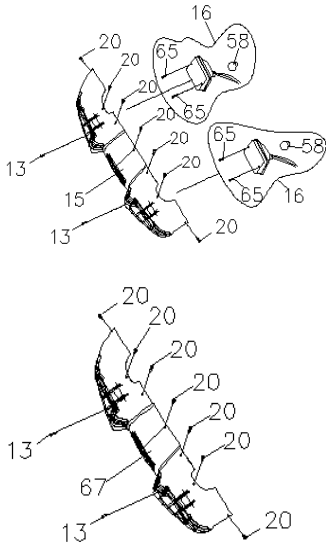
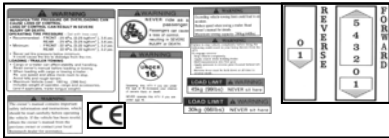


ITEM NO.	PARTS NO.	DESCRIPTION	Q'TY
F06-01	31106006010001	SHAFT CONNECTOR W/BOLTS	2
F06-02	50102002000006	WASHER	2
F06-03	50102220150001	CASTLE NUT	2
F06-04	50103303040001	COTTER PIN	2
F06-05	31106003160001	RUBBER CAP	4
F06-06	31106006040001	WHEEL RIM, FRONT	2
(F06-06)	31106006040002	WHEEL RIM, FRONT	2
F06-07	31106006050001	WHEEL RIM, REAR	2
(F06-07)	31106006050002	WHEEL RIM, REAR	2
F06-09	50102310125001	NUT	16
F06-16	31106006110001		4
F06-29	31106006160001	TIRE, FRONT	2
(F06-29)	31106006060002	TIRE, FRONT	2
F06-30	31106006170001	TIRE, REAR	2
(F06-30)	31106006070002	TIRE, REAR	2
F06-31	31106006161001	TIRE COMP.LEFT FRONT	1
F06-32	31106006162001	TIRE COMP.LEFT REAR	1
F06-33	31106006171001	TIRE COMP.RIGHT FRONT	1
F06-34	31106006172001	TIRE COMP.RIGHT REAR	1



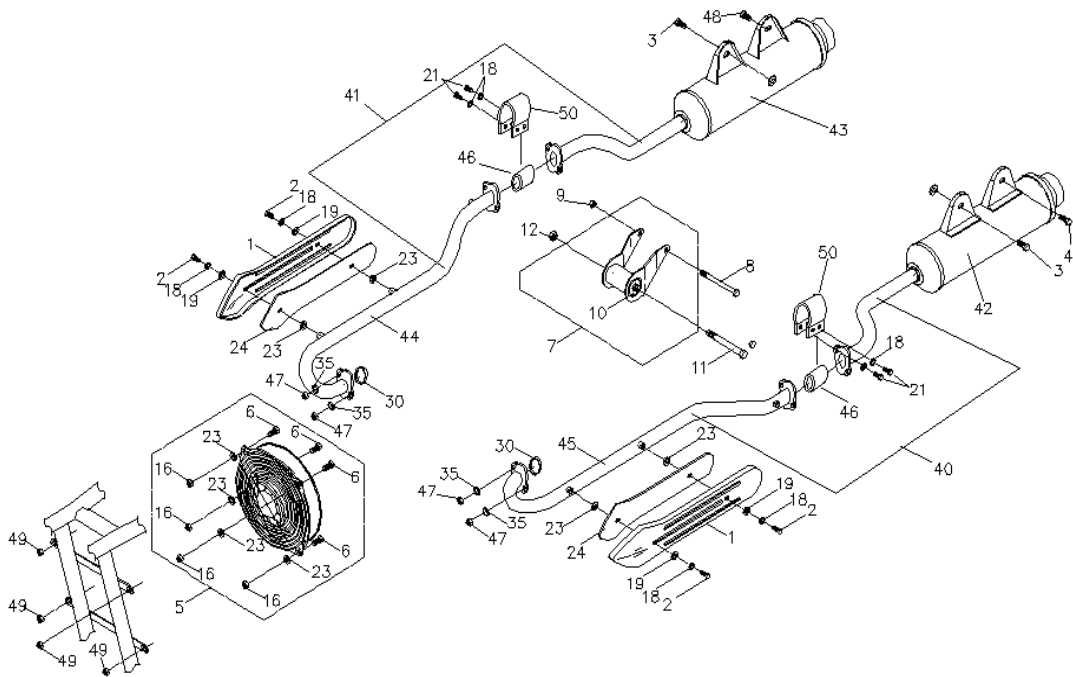
ITEM NO.	PARTS NO.	DESCRIPTION	Q'TY
F07-01	31106007330002	REVERSE GEAR BOX ASSY	1
F07-02	50300102000001	BEARING	2
F07-03	31106007150001	SHAFT ASSY,POWER INPUT	1
F07-04	31106007110001	GEAR	2
F07-05	50101602000001	C-CLIP	4
F07-06	31106007120001	GEAR	1
F07-07	50102002000001	WASHER	1
F07-08	50102015000001	WASHER	6
F07-09	50300102500001	BEARING	1
F07-10	31106007090001	OUTPUT SHAFT	1
F07-11	50200203400001	OIL SEAL	2
F07-12	50300201500003	SPACER	1
F07-13	50300101500003	BEARING	4
F07-14	31106007140001	REVERSE SHAFT	1
F07-15	31106007130001	REVERSE GEAR	1
F07-16	31106007100001	GEAR	1
F07-17	31106007080001	PINION	1
F07-18	31106007050001	SHIFT DRUM	1
F07-19	31106007060001	SHIFT FORK	1
F07-21	50300201500002	SPACER	1
F07-22	50200202400001	OIL SEAL	1
F07-23	50200202500001	OIL LEVEL INDICATOR	1
F07-24	1519901001	LEFT CASE, GEAR BOX	1
F07-25	31106007030001	GASKET, GEAR BOX	1
F07-26	1519901002	RIGHT CASE, GEAR BOX	1
F07-27	50100606055001	BOLT	6
F07-28	32104006180001	DOWEL PIN	2
F07-29	50100606062001	BOLT	2
F07-30	50102001200004	WASHER	2
F07-31	50100612015002	BOLT	2
F07-32	31106007200001	JOINT	1

F07-33	31106007020001	BREATH TUBE, GEAR BOX	1
F07-34	31106007460001	BUSHING	4
F07-36	31106007310001	SPROCKET, POWER INPUT	1
F07-37	31106007320001	SPROCKET, POWER OUTPUT	1
F07-38	31106007260001	FIXING PLATE, SPROCKET	3
F07-39	50102706010004	BOLT	6
F07-40	31106007220001	PLATE, REVERSE GEAR	1
F07-42	50102706015003	BOLT	1
F07-43	31106007300001	SIDE COVER, GEAR BOX	1
F07-44	50300101500009	BEARING	1
F07-46	31106007230001	DOWEL PIN	2
F07-47	50100606035002	BOLT	2
F07-49	31106007040001	CHAIN	1
F07-50	50102708036002	BOLT	2
F07-51	50101508125001	NUT	2
F07-52	50102710140002	BOLT	2
F07-53	50101510125001	NUT	2
F07-54	31106007340001	SPRING, REVERSE GEAR	1
F07-55	31106007350001	PADDLE, REVERSE GEAR	1
F07-56	31106007360001	RUBBER COVER, PADDLE	1
F07-60	31106007380001	SWITCH, BRAKE LIGHT	1
F07-62	31106007420001	IDLE SHAFT ASSY	1
F07-63	31106007430001	REVERSE SHAFT ASSY	1
F07-64	31106007440001	INPUT & OUTPUT SHAFT ASSY	1
F07-65	31106007450001	BRACKET	1
F07-66	31106007010001	SPRING, BRAKE SWITCH	1
F07-73	31106007500001	LEFT CASE, GEAR BOX, ASSY	1
F07-74	31106007510001	RIGHT CASE, GEAR BOX, ASSY	1
F07-75	50100606028001	BOLT, FLANGE	2
F07-77	31106007530001	SIDE COVER, GEAR BOX	1
F07-78	31106007540001		1
F07-79	31106007550001		1
F07-80	32104009120002	SPROCKET,DRIVE(14T)	1



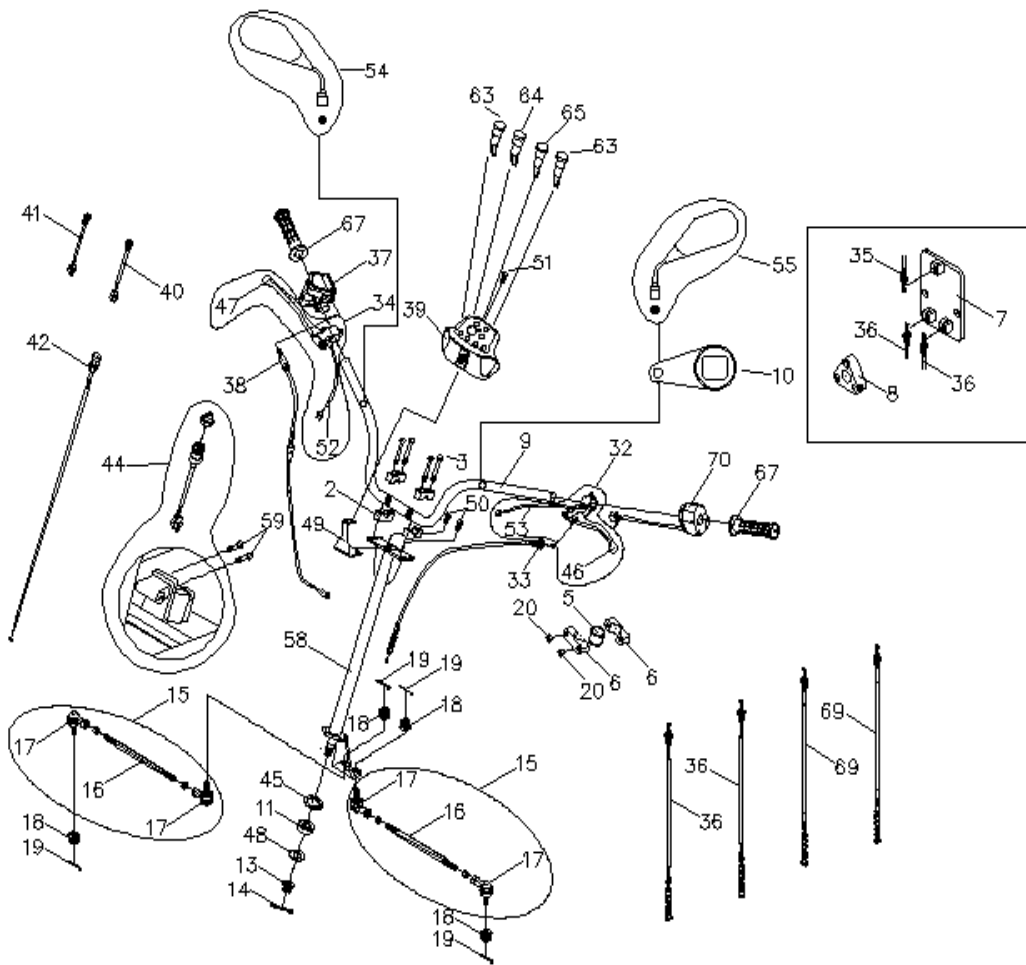
ITEM NO.	PARTS NO.	DESCRIPTION	Q'TY
F08-01	31106008190001	FENDER, FRONT(GREEN)	1
F08-01	31106008190002	FENDER, FRONT(TAN)	1
F08-01	31106008190003	FENDER, FRONT(RED)	1
F08-01	31106008190004	FENDER, FRONT(BLACK)	1
F08-01	31106008190005	FENDER, FRONT(YELLOW)	1
F08-01	31106008190006	FENDER, FRONT(GRILLO GREEN)	1
F08-02	50102708016001	BOLT	6
F08-03	31106008200001	FENDER,REAR(GREEN)	1
F08-03	31106008200002	FENDER,REAR(TAN)	1
F08-03	31106008200003	FENDER,REAR(RED)	1
F08-03	31106008200004	FENDER,REAR(BLACK)	1
F08-03	31106008200005	FENDER, FRONT(YELLOW)	1
F08-03	31106008200006	FENDER, FRONT(GRILLO GREEN)	1
F08-06	31106008210001	FOOTREST COVER, RIGHT	1
F08-07	31106008220001	FOOTREST COVER, RIGHT	1
F08-08	50101204100001	NUT	12
F08-09	50100704012001	BOLT	12
F08-10	50102000400001	WASHER	24
F08-11	31106008230001	COVER,FRONT FENDER	1
F08-12	31106008130001	CLIP NUT	4
F08-13	50100704025003	SCREW	4
F08-14	50100704031002	SCREW	2
F08-15	31106008230002	FRONT COVER	1
F08-16	31106008010001	HEAD LIGHT	2
F08-17	31104011090001	TAIL LIGHT	1
F08-18	31104011090004	BULB	1
F08-19	31106008120001	CLIP NUT	2

F08-20	50100705016002	SCREW	9
F08-22	59900310005002		1
F08-23	31106008060001	RUBBER BUSHING	1
F08-24	31106008070001	METAL SLEEVE	1
F08-25	50102706025001	BOLT	1
F08-28	31106008020001	CAP,FUEL TANK	1
F08-29	31106008290001	BREATH TUBE, GAS CAP	1
F08-30	31106008110001	FUEL COCK	1
F08-31	50102706010001	BOLT	2
F08-32	31106008300001	FUEL TUBE	1
F08-33	31106008310001	FUEL TUBE W/FILTER	1
F08-34	31106008260001	SEAT ASSY	1
F08-37	50101306100001	NUT	4
F08-39	31106008080001	TOOL PACK NOT IN DRAWING	1
F08-45	31106008170001	HEAT PROTECTOR	1
F08-49	59900310002001	WARNING STICKER	1
F08-50	31106008330001	TUBE	1
F08-51	31106008350001	BOLT	1
F08-53	31106008040003	FUEL TANK	1
F08-54	59900310001002	STICKER SET,YELLOW	2
F08-55	59900310001003	STICKER SET,RED	2
F08-58	31106008010004		2
F08-62	31106008360001		1
F08-63	50101206100001	NUT	4
F08-64	31106008370001		2
F08-65	50100705016002	SCREW	4
F08-66	31106008380001		1
F08-67	31106008240001	FRONT COVER	1



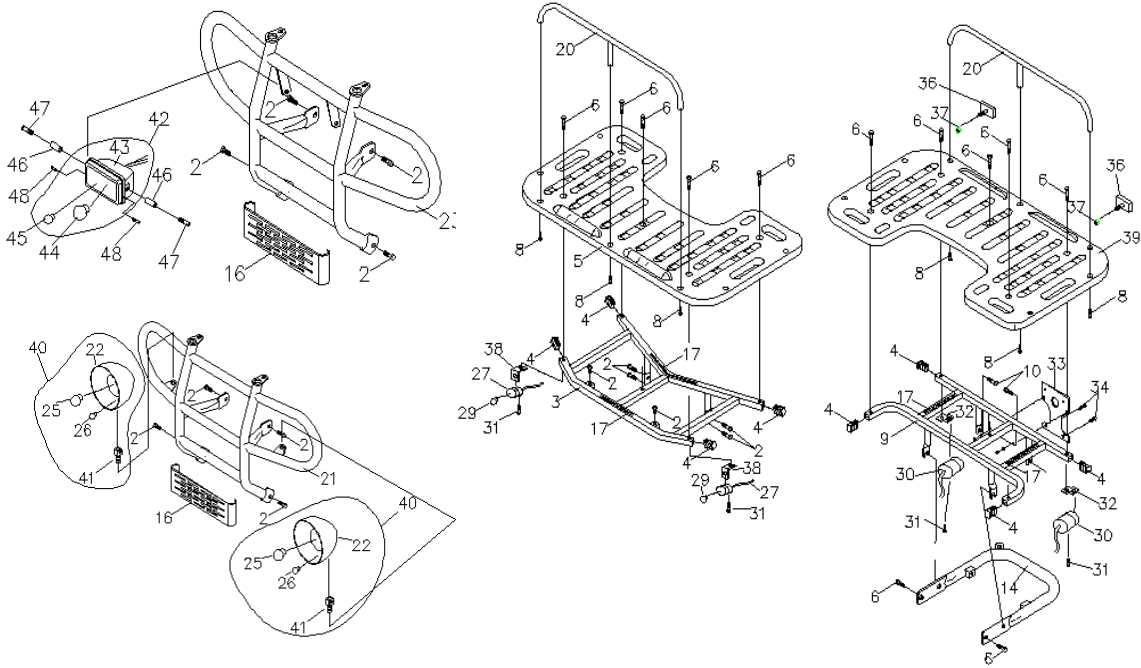
ITEM NO.	PARTS NO.	DESCRIPTION	Q'TY
F09-01	31106009040001	PROTECTOR,EXHAUST PIPE	2
F09-02	50102706012001	BOLT	4
F09-03	50102708032002	BOLT	2
F09-05	31106009050001	COOLING FAN	1
F09-06	50100506020004	BOLT	4
F09-07	31106009290001	ENGINE HANGER, FRONT	1
F09-08	50102708090002	BOLT	1
F09-09	50101508125001	NUT	1
F09-10	31106009080001	RUBBER BUSH	1
F09-11	50102710090002	BOLT	1
F09-12	50101510125001	NUT	1
F09-16	50101306100001	NUT	4
F09-18	50102000600010	WASHER	8
F09-19	50102000600001	WASHER	4
F09-21	50102706025001	BOLT	4
F09-24	31106009110001		2
F09-30	32204022010001	GASKET	2
F09-35	50102000700001	SPRING WASHER	4
F09-40	31106009230001	MUFFLER, LEFT	1
F09-41	31106009240001	MUFFLER, RIGHT	1
F09-42	31106009250001	FRONT PIPE LEFT	1
F09-43	31106009260001	FRONT PIPE RIGHT	1
F09-44	31106009270001	MUFFLER, LEFT	1
F09-45	31106009280001	MUFFLER, RIGHT	1
F09-46	31106009300001		2
F09-47	50101407100001		4

F09-48	50102708050001	BOLT	2
F09-49	50101306100001	NUT	4
F09-50	31106009310001		2



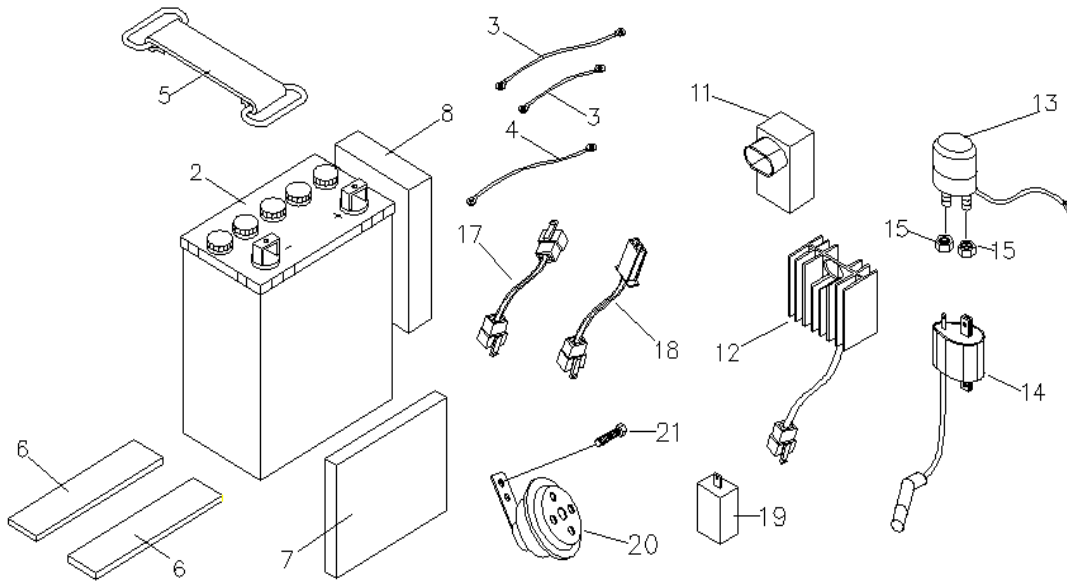
ITEM NO.	PARTS NO.	DESCRIPTION	Q'TY
F10-09	31106010210002	HANDLE BAR	1
F10-02	31106010010001	CLAMP, HANDLE BAR	4
F10-03	50102708050002	BOLT	4
F10-58	31106010360001	SHAFT, STEERING	1
F10-05	31106010030001	PU BUSH SLEEVE,STEERING SHAFT	1
F10-06	31106010040001	HOLDER,STEERING SHAFT	2
F10-07	31106010230001	HOLDING PLATE STEERING	1
F10-08	31106010050001	SPACER	1
F10-10	31104010340001		1
F10-11	50300101700002	BEARING	1
F10-13	50103416105001	U-NUT	1
F10-14	50103303025001		1
F10-15	31106010060001	TIE-ROD ASSY	2
F10-16	31104010090001	TIE-ROD	2
F10-17	31104010100001	TIE-ROD END	4
F10-18	50102210125003	NUT	4
F10-19	50103303020001		4
F10-20	50101308125001	FRANGE NUT	2
F10-32	31106010160002	LEVER, CLUTCH, COMPLETE	1
F10-33	31106010070001	CABLE, CLUTCH	1

F10-34	31106010170002	LEVER, FRONT BRAKE, COMPLETE	1
F10-35	31106010080001	CABLE, BRAKE UPPER, COMPLETE	1
F10-36	31106010090001	CABLE, BRAKE LOWER	2
F10-37	31106010180001	LEVER ASSY, THROTTLE	1
F10-38	31106010100001	CABLE, THROTTLE	1
F10-39	31106010270002	COVER, HANDLE BAR	1
F10-40	31106010120001	LAMP, NUTRAL	1
F10-41	31106010130001	LAMP, REVERSE	1
F10-42	31106010110001	CABLE ASSY, CHOCK	1
F10-44	31104010350001		1
F10-45	50101604000001	C-RING	1
F10-46	31106010300001	LEVER, CLUTCH	1
F10-47	31106010310001	LEVER, FRONT BRAKE	1
F10-48	50102001600008	WASHER	1
F10-49	31106010320001	BRACKET, HANDLE COVER BAR	1
F10-50	50102708012002	BOLT	2
F10-51	50100705012001	BOLT	1
F10-52	31104010110003	BRAKE LIGHT SWITCH,LEFT	1
F10-53	31106010330001		1
F10-54	31101010350001		1
F10-55	31101010340001		1
F10-59	50100206016001	BOLT	2
F10-63	31104010360001		2
F10-64	31104010370001		1
F10-65	31104010380001		1
F10-67	31106010140002		2
F10-68	31101010080001		1



ITEM NO.	PARTS NO.	DESCRIPTION	Q'TY
F11-02	50102708016003	BOLT	10
F11-03	31106011040001	SUPPORT, FRONT	1
F11-04	31106011160001	PLUG	8
F11-05	31106011050001	RIGG	1
F11-06	50102708020002	BOLT	12
F11-08	50102706015002	BOLT	6
F11-09	31106011070001	SUPPORT, REAR	1
F11-10	50102708014001	BOLT	2
F11-14	31106011090002	REAR BUMPER	1
F11-16	31106011110001	COVER, FRONT BUMPER	1
F11-17	31106011130001	RUBBER BATTERY	4
F11-20	31106011080002	RAIL	2
F11-21	31106011020001	FRONT BUMPER	1
F11-22	31106011030003		2
F11-23	31106011020002		1
F11-23	31106011020002	FRONT BUMPER	1
F11-25	31104011170002		2
F11-26	31104011170003		2
F11-27	31104011190001		2
F11-28	31104011200001		2
F11-29	31104011180002		4
F11-31	50100705010001		4
F11-32	31104011220001		2
F11-33	31106011100001		1
F11-34	50100206016001	BOLT	2
F11-36	31106011200001		2
F11-37	50101405080001		2
F11-38	31106011210001		2

F11-39	31106011050002		1
F11-40	31106011030001		2
F11-41	31106011030002		2
F11-42	31104011170001		1
F11-46	31106011220001		2
F11-47	50102708032002		2
F11-48	50100705016005		4



ITEM NO.	PARTS NO.	DESCRIPTION	Q'TY
F12-16	31106012010002	MAIN WIRE ASSY	1
F12-02	31106012020001	BATTERY	1
F12-03	31106012040001	GROUND CABLE	1SET
F12-04	31106012050001	PLUS CAB;E	1
F12-05	31106012030001	RUBBER BAND, BATTERY	1
F12-06	31106012060001	RUBBER, BATTERY	2
F12-07	31106012070001		1
F12-08	31106012080001		1
F12-09	31106012090001	FUSE	1
F12-10	31106012100001	FUSE	1
F12-11	32105013010001	UNIT ASSY,C.D.I	1
F12-12	32105013020002	REG.RECT.COMP	1
F12-13	32104013050001	SWITCH ASSY,STARTER MAG	1
F12-14	32105018010001	COIL COMP,(C.D.I)IGN	1
F12-15	50101206100001		2
F12-17	31106012120001		1
F12-18	31106012110001		2