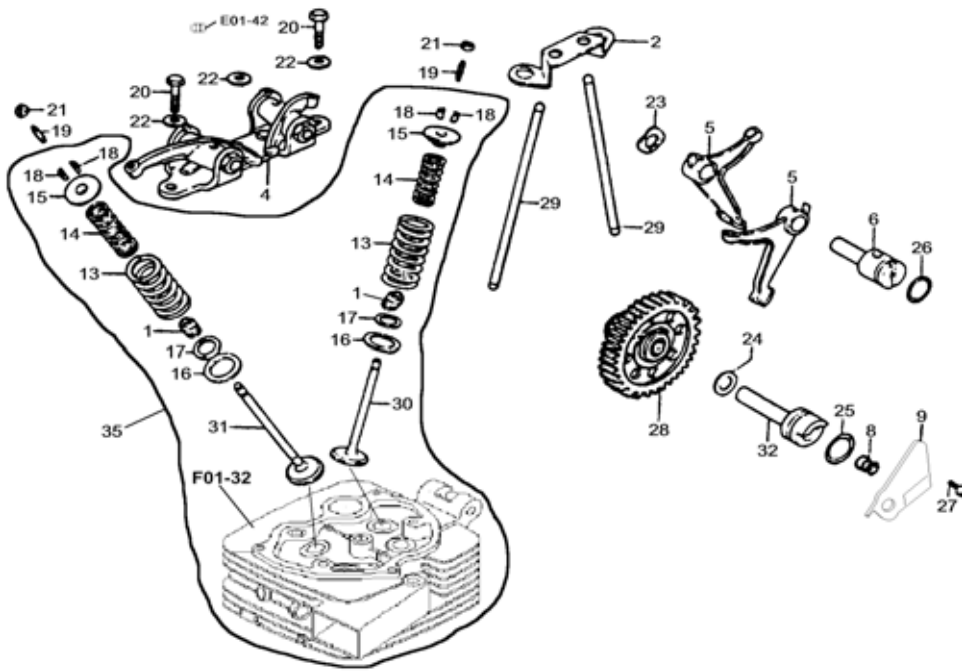


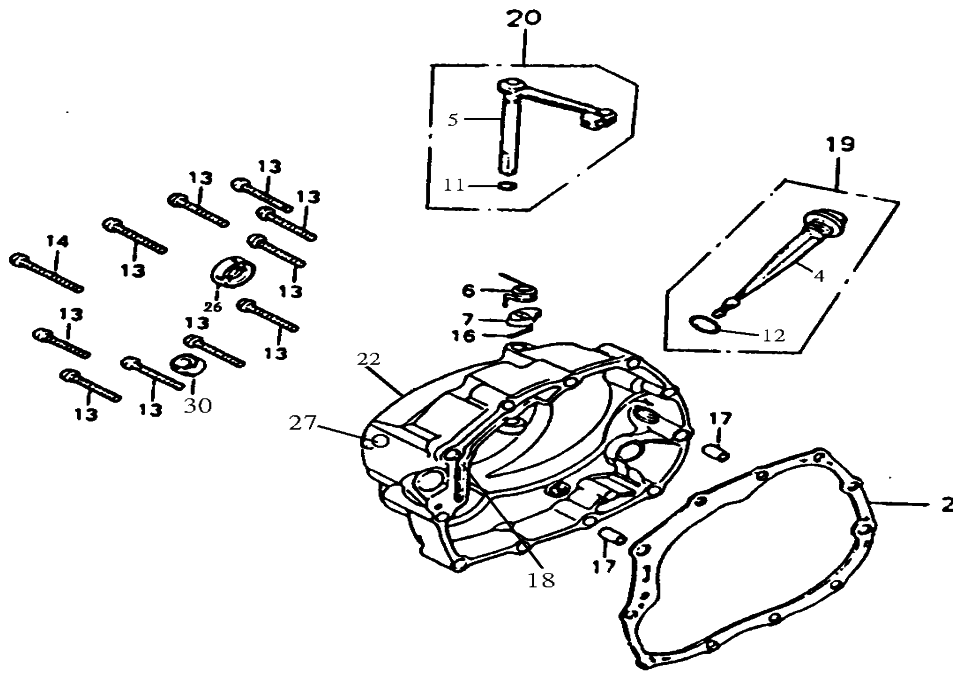
E-01-05	32104001050002	COVER, CYLINDER HEAD	1
E-01-06	32104001060001	PACKING, CLINDER HEAD	1
E-01-08	50100508079001	BOLT, HEX 8*79	1
E-01-09	50101408125001	NUT, CYLINDER HEAD	4
E-01-10	50102000600003	WASHER, SEALING 6mm	1
E-01-11	50102000800001	WASHER, SEALING 8mm	1
E-01-12	50200101000002	O-RING, 10*1.6	2
E-01-14	50100506012001	BOLT, HEX. 6X12	1
E-01-15	50100606022001	BOLT 6X22	2
E-01-19	50101306000001	NUT, 6MM	2
E-01-20	50102001200002	WASHER, PLAIN 12MM	2
E-01-21	50102706028001	BOLT, FLANGE 6X28	3
E-01-23	32104001080001	DOWEL PIN 10X20	3
E-01-24	32104001090001	SPARK PLUG (NGK D-8EA)	1
E-01-27	32104001120001		1
E-01-29	32104001010006	CYLINDER	1
E-01-30	32104001020002	GASKET, CYLINDER	1
E-01-32	1519902066		1
E-01-33	32104001040002	GASKET, CYLINDER HEAD	1
E-01-34	32104001110001		1
E-01-35	32104001130001		1
E-01-36	32104001140001		1
E-01-37	50101106072001	BOLT, STUD 6X62	2
E-01-38	32104001160001	GASKET, INSULATOR	2
E-01-40	32104001180001	INSULATOR, CARB.COMP	1
E-01-41	32105001010002	OIL SEAL	1
E-01-42	50101408000001	NUT, FLANGE 8MM	1
E-01-43	50101108022001	BOLT, STUD 8X22	1
E-01-44	32204022010001	GASKET	4

E-01-45	50200101000002	O-RING, 10*1.6	1
E-01-46	32105001020001	INSULATOR, CARB.COMP(AL)	1
E-01-47	50101107035001	STUD BOLT, 7X35XS15	4

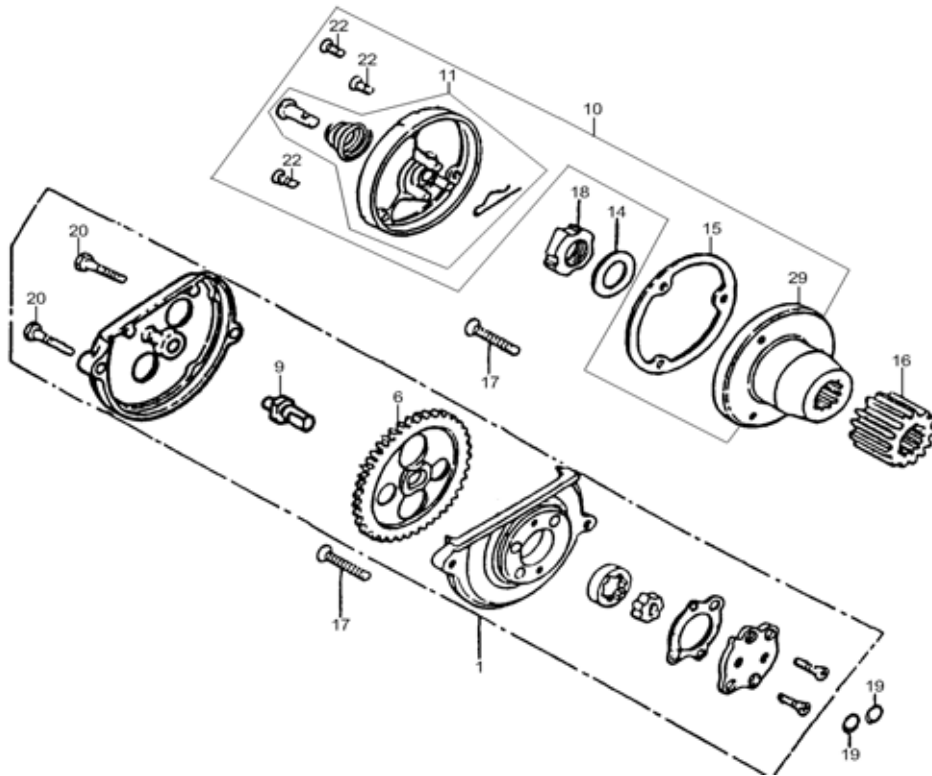


E-02-01	32104002010001	VALVE SEAL	2
E-02-02	32104002020001	GUIDE, PUSH ROD	1
E-02-03	32104002030001	CAMSHAFT COMP.	1
E-02-04	32104002040001	ROCKER ARM HOLDER	1
E-02-05	32104002050001	CAM FOLLOWER	2
E-02-06	32104002060001	SHAFT, CAM FOLLOWER	1
E-02-08	32104002080001	SPRING, CAM SHAFT	1
E-02-09	32104002090001	PLATE, SPRING STOPPER	1
E-02-13	32104002130001	VALVE SPRING, OUTER	2
E-02-14	32104002140001	VALVE SPRING, INNER	2
E-02-15	32104002150001	RETAINER, VALVE SPRING	2
E-02-16	32104002160001	SEAT, VALVE SPRING OUTER	2
E-02-17	32140002170001	SEAT, VALVE SPRING INNER	2
E-02-18	32104002180001	COTTER, PIN	4
E-02-19	32104002190001	SCREW, TAPPET ADJUSTING	2
E-02-20	50100508028001	BOLT, FRONT BRAKESTOPPER ARM	2
E-02-21	50101206000002	NUT, TAPPET ADJUSTER	2
E-02-22	50102000800001	WASHER, SEALING 8MM	3
E-02-23	50102001200003	WASHER,WAVE 12MM	1
E-02-24	50102001400001	WASHER, THRUST 14MM	1
E-02-25	50200102000001	O-RING 20X2.5	1
E-02-26	50200101700001	O-RING 17X2.5	1
E-02-27	50100606012001	BOLT, FLANGE SH.6X12	1
E-02-28	32104002200001	CAMSHAFT COMP.	1
E-02-29	32104002100002	ROD, PUSH	2
E-02-30	32104002110002	VALVE, INLET	1

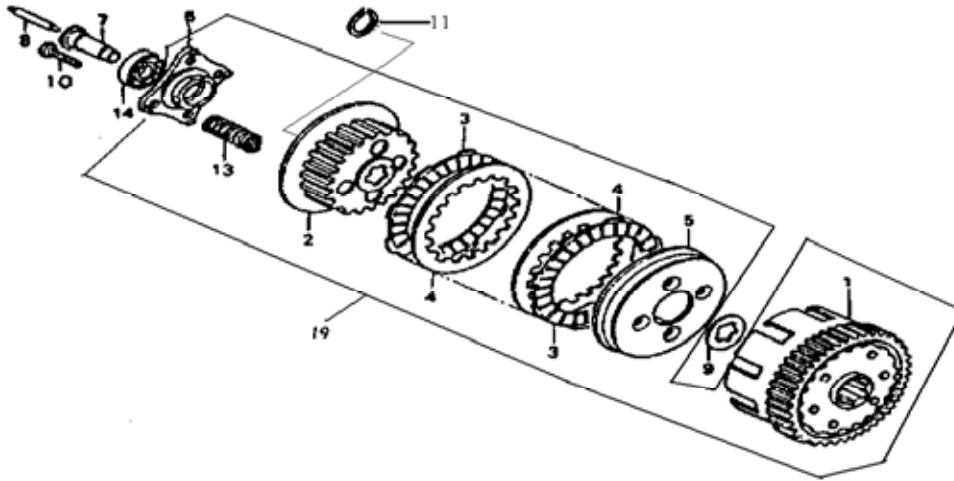
E-02-31	32104002120002	VALVE, EXHAUST	1
E-02-32	32104002210001	SHAFT, CAM GEAR	1
E-01-35	32104002220001	CYLINDER HEAD, ASSY	1



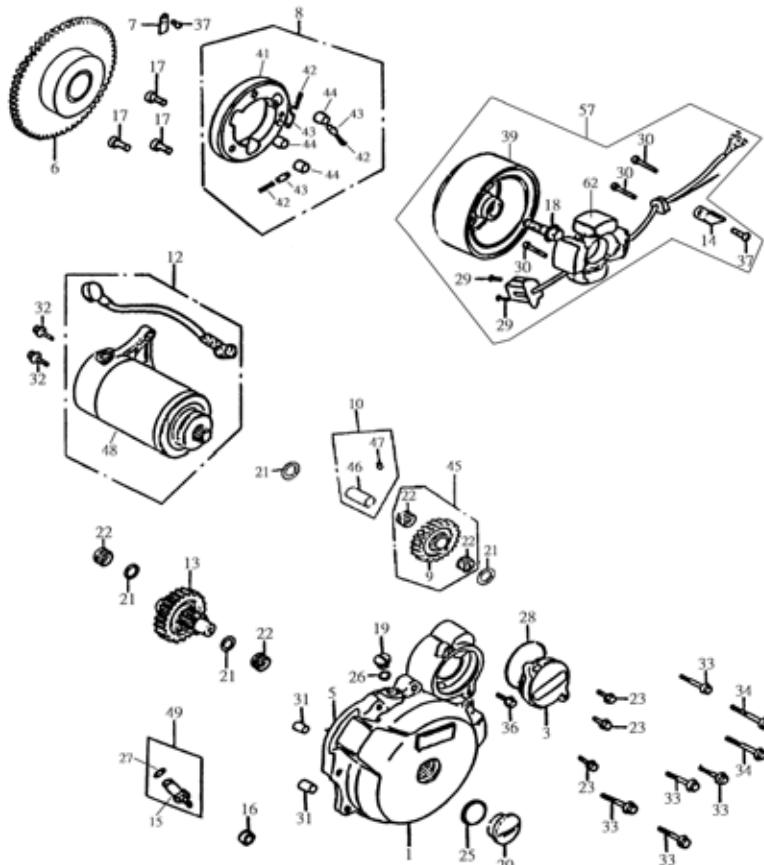
E-03-22	1519902057	COVER COMP. R. CRANKCASE	1
E-03-02	32104003020001	GASKET, R. CRANKCASE COVER	1
E-03-04	32104003040001	GAUGE,OIL LEVER	1
E-03-05	32104003050001	LEVERCOMP,CLUTCH	1
E-03-06	32104003060001	SPRING, CLUTCH LEVEL	1
E-03-07	32104003070001	CAM, CLUTCH LIFTER	1
E-03-11	50200100600001	O-RING,6.8*1.9	1
E-03-12	50200100600001	O-RING,18*3	1
E-03-13	50100606040001	BOLT, FLANGE SH. 6X40	10
E-03-14	50100606050001	BOLT, FLANGE SH. 6X50	1
E-03-16	32104003080001	PIN, SPLIT 2.0X15	1
E-03-17	32104003090001	PIN A, DOWEL 8X14	2
E-03-18	32104003310001	ORIFICE,A OIL 5mm	1
E-03-19	32104003110001	GAUGE, ASSY, OIL LEVEL	1
E-03-20	32104003120001	LEVEL COMP., CLUTCH	1
E-03-26	32104003160001	OIL SEAL, 28	1
E-03-27	32104007180001	PLUGE, CONE TYPE6*7	1
E-03-30	32104003160002	OIL SEAL, 15	1



E-04-01	32104004010001	OIL PUMP ASSY	1
E-04-6	32104004060001	GEAR,OIL PUMP DRIVE (39T)	1
E-04-9	32104004090001	SHFT ,OIL PUMP	1
E-04-10	32104004100001	ROTOR COMP. OIL FILTER,ASSY	1
E-04-11	32104004110001	CAP,OIL FILTER ROTOR	1
E-04-14	50102001600006	WASHER,LOCK FILTER ORTOR	1
E-04-15	32104004140001	GASKET,OIL FILTER ROTOR CAP	1
E-04-16	32104004150001	GEAR, PRIMARY DRIVE(18T)	1
E-04-17	50100806030001	SCREW, FLAT 6X30	2
E-04-18	50101216100001	NUT, LOCK 16MM	1
E-04-19	50200100900001	O-RING 9.4X2.4	2
E-04-20	50100805020001	BOLT,HEX 5*20	2
E-04-22	50100805012005	SCREW,OVAL 5*12	3
E-04-29	32104004100002	ROTOR COMP , OIL FILTER	1

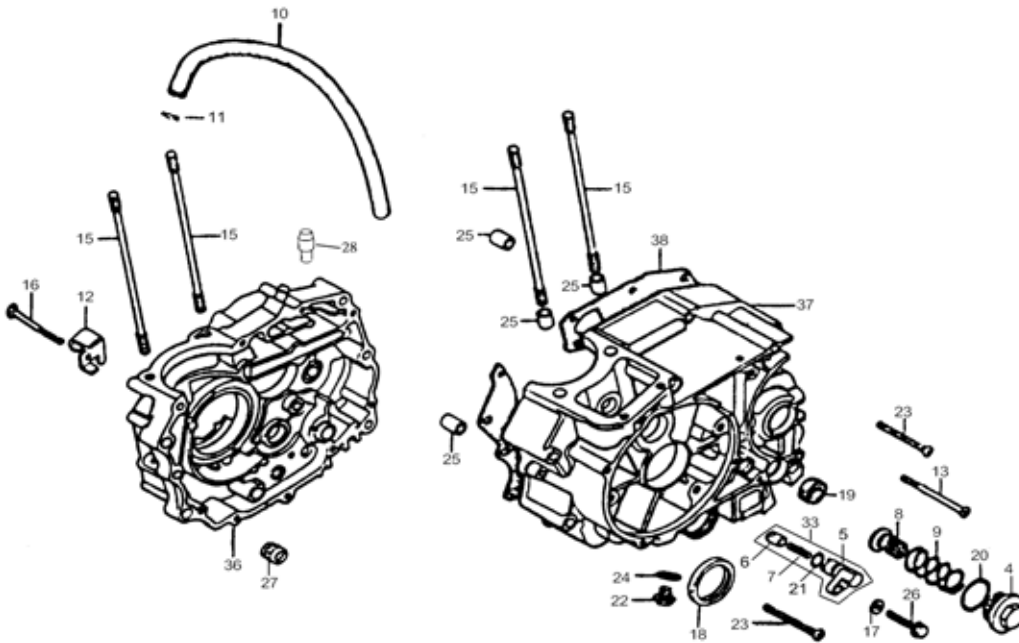


E-05-01	32104005010001	OUTER COMP,CLUTCH	1
E-05-02	32104005020001	CENTER ,CLUTCH	1
E-05-03	32104005030001	DISK,CLUTCH FRICTION	5
E-05-04	32104005040001	PLATE,CLUTCH	4
E-05-05	32104005050001	PLATE,CLUTCH PRESSURE	1
E-05-06	32104005060001	PLATE,CLUTCH LIFTER	1
E-05-07	32104005070001	PIN, CLUTCH LIFTER GUIDE	1
E-05-08	32104005080002	ROD, CLUTCH LIFTER	1
E-05-09	50102002000002	WASHER,B SPLINE 20MM	1
E-05-10	50102706022002	BOLT,FLANGE 6*22	4
E-05-11	32104005090001	CIR CLIP, 20MM	1
E-05-13	32104005100001	SPRING,CLUTCH	5
E-05-14	50300101200001	BEARING, RADIAL BALL 6001	1
E-05-19	32104005150001	CLUTCH, ALL(CG150,168)	1



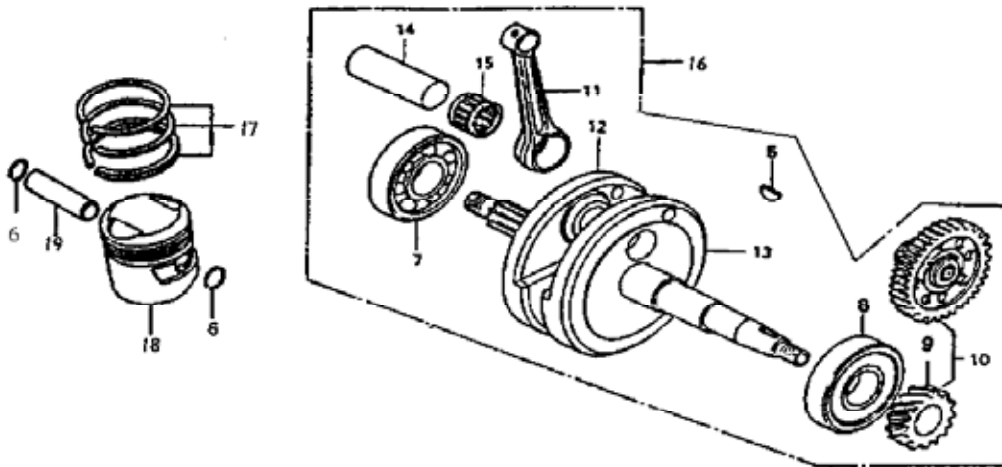
E-06-01	1519902055	COVER, L. CRANKCASE	1
E-06-03	32104006020002	COVER, REDUCTION	1
E-06-05	32104006040001	GASKET, LEFT CRANKCASE	1
E-06-06	32104006050001	GEAR COMP., STARTER	1
E-06-07	32104006060001	PLATE SET, GEAR	1
E-06-08	32104006070001	STARTING CLUTCH OUTER ASSY	1
E-06-09	32104006080001	GEAR, REDUCTION	1
E-06-10	32104006090001	SHAFT, STARTER GEAR	1
E-06-12	32104006100001	MOTOR ASSY, STARTER	1
E-06-13	32104006110001	SHAFT, STARTER GEAR	1
E-06-14	32104006120001	CLAMPER, WIRE HARNESS	1
E-06-15	32104006130001	CONTACT COMP. NEUTRAL SWITCH	1
E-06-16	32104006140001	SWITCH RING	1
E-06-17	50100108018001	BOLT, SOCKET 8X18	3
E-06-18	50100610035002	BOLT, ROTOR SETTING 10*35	1
E-06-19	32104006150001	CAP, A.C.G.14MM	1
E-06-20	32104006160002	CAP, 30MM	1
E-06-21	50102001000001	WASHER, 10.5MM	4
E-06-22	50300201000001	NEEDLE BEARING, HK-1010	2
E-06-23	50100606020001	BOLT, FLANGE, SH 6X20	3
E-06-25	50200102700001	O-RING 27.4X2.4	1

E-06-26	50200101300003	O-RING 13.8X2.5	1
E-06-27	50200100700002	O-RING 7X1.7	1
E-06-28	50200106300001	O-RING 63X3.0	1
E-06-29	50100705016001	SCREW, PAN 5X16	2
E-06-30	50100505025001	BOLT, HEX 5X25	3
E-06-31	32104006180001	PIN A, DOWEL 10X14	2
E-06-32	50100606028004	BOLT, FLANGE 6X28	2
E-06-33	50100606040001	BOLT, FLANGE 6X40	5
E-06-34	50100606050001	BOLT, FLANGE 6X50	2
E-06-36	50100606025001	BOLT, FLANGE 6X25	1
E-06-37	50100606012001	BOLT, FLANGE 6X12	2
E-06-39	32104006200001	FLYWHEEL COMP.	1
E-06-41	32104006220001	STARING CLUTCH OUTER COMP.	1
E-06-42	32104006230001	SPRING STARTING CLUTCH ROLLER	3
E-06-43	32104006240001	CAMP,STARTING CLUTCH ROLLER	3
E-06-44	32104006250001	POLLER,10.2*11.5	3
E-06-45	32104006240001	GEAR COMP. REDUCTION	1
E-06-46	32104006270001	SHAFT REDUCTION GEAR	1
E-06-47	32104006280001	KNOCK PING 3*5.2	1
E-06-48	32104006290001	MOTOR COMP.STARTER	1
E-06-49	32104006300001	CONTACT ASSY, NEUTRAL SWITCH	1
E-06-52	32104006330001	TERMINAL SET	1
E-06-57	32105006010001	A.C.G.ASSY	1
E-06-62	32105006020001	STATOR COMP.	1
E-06-53	32104006340001	GEAR COMP. REDUCTION	1

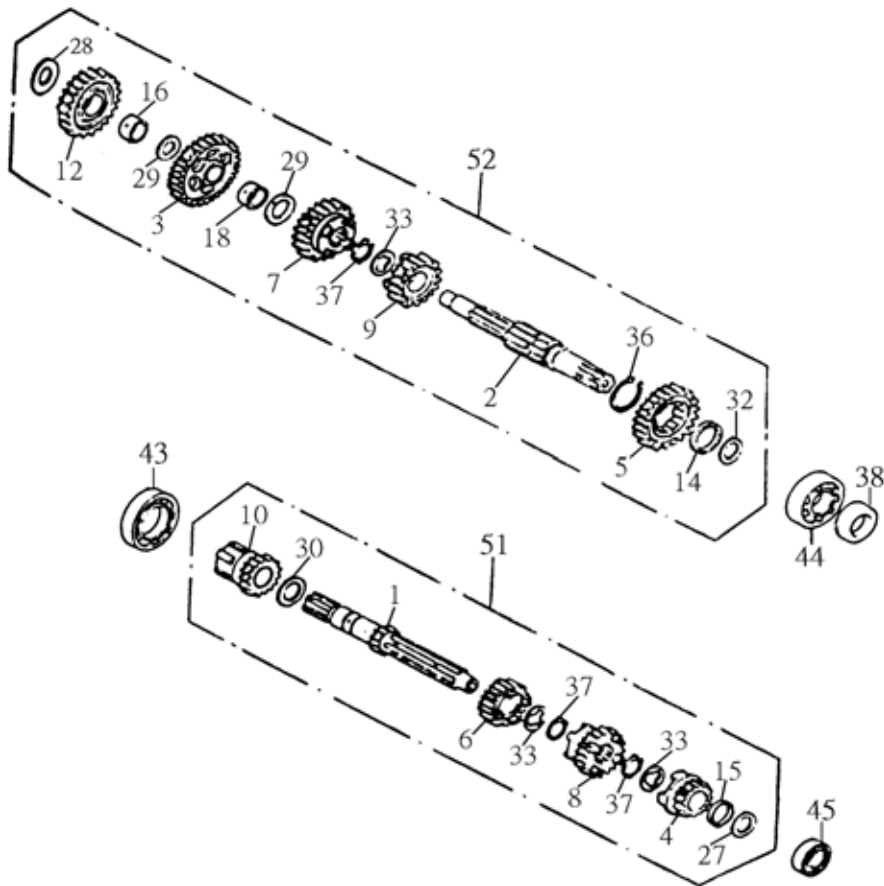


E-07-04	32104007040002	HOLE CAP, TAPPET ADJUSTING	1
E-07-05	32104005050001	PLATE, CLUTCH PRESSURE	1
E-07-06	32104005060001	PLATE, CLUTCH LIFTER	1
E-07-07	32104005070001	PIN, CLUTCH LIFTER GUIDE	1
E-07-08	32104007080001	SCREEN, BEARING PUSH	1
E-07-09	32104007090001	SPRING, OIL FILTER	1
E-07-10	32104007100001	TUBE, BREATHER	1
E-07-11	32104005090001	CIR CLIP, 20MM	1
E-07-12	32104007120001	HOLDER, CLUTCH WIRE	1
E-07-13	50100706095001	SCREW, PAN 6X95	1
E-07-15	50101108130001	STUD, B CYLINDER 8X130	4
E-07-16	50100506055001	BOLT, HEX 6X55	1
E-07-17	50102000600005	WASHER, SEALING 6MM	1
E-07-18	50200205000001	OIL SEAL, 34X50X7	1
E-07-19	50200202800002	OIL SEAL, 14X28X7	1
E-07-20	50200103500001	O-RING, 35X3	1
E-07-21	50200101300001	O-RING, 13*25	1
E-07-22	50100612015002	BOLT, DRAIN PLUG 12MM	1
E-07-23	50100706050001	SCREW, PAN 6X50	9
E-07-24	50102001200004	WASHER, DRAIN PLUG 12MM	1
E-07-25	32104007140001	PIN A, DOWEL 10X14	4
E-07-26	50102706025001	BOLT, FLANGE 6X25	1
E-07-27	50300201500001	NEEDLE BEARING, HK-1512	1
E-07-28	32104007160001	Joint breather tube	1
E-07-29	32104007170001	ORIFICE , B OIL 4*8	1
E-07-30	32104007180001	PLUG , CONE TYPE 6*7(R)	3
E-07-31	32104007230001	PLUG , CONE TYPE 6*7(L)	1

E-07-32	32104007200001	ORIFICE , B OIL 4*18	1
E-07-33	32104007210001	HOLDER ASSY, PUSH PLUG	1
E-07-36	1519902064	CRANKCASE COMP. R.	1
E-07-37	1519902065	CRANKCASE COMP. L.	1
E-07-38	32104007020002	GASKET, CRANKCASE	1

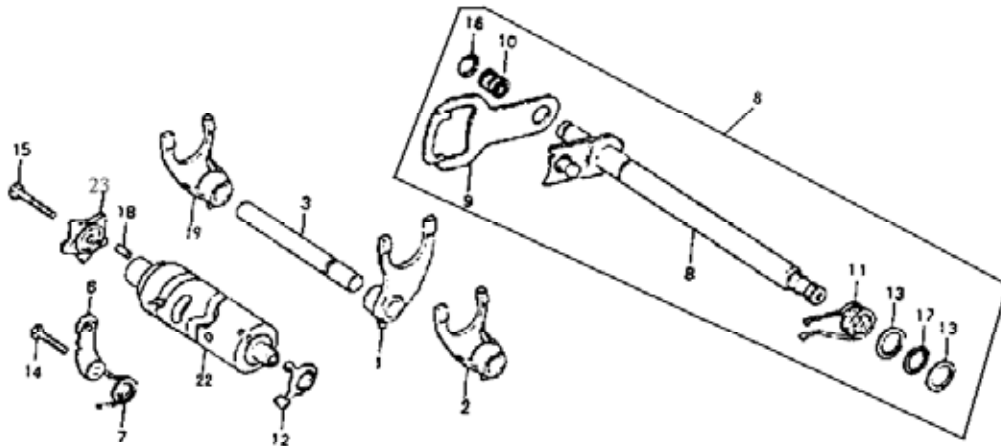


E-08-05	32104005050001	CRANKSHAFT COMP	1
E-08-06	32104008060001	CLIP, PISTON PIN 15MM	2
E-08-07	50300102800001	BEARING,BALL RADIAL V4 63/28	1
E-08-08	50300102800002	BEARING,BALL RADIAL LUA 63/28	1
E-08-09	32104008090001	GEAR TIMING DRIVE	1
E-08-10	32104008100001	CAMSHAFT/TIMING GEAR SET	
E-08-11	32104008110001	ROD,CONNECTING	1
E-08-12	32104008120001	CRANKSHFT COMP,R	1
E-08-13	32104008130001	CRANKSHFT COMP,L	1
E-08-14	32104008140001	PIN,CRANK	1
E-08-15	32104008150001	BEARING,CON-ROD L,END	1
E-08-16	32104008010002	CRANKSHAFT COMP.	1
E-08-17	32104008020002	RING PISTON ASSY	1
E-08-18	32104008030002	PISTON	1
E-08-19	32104008040001	PIN, PISTON	1

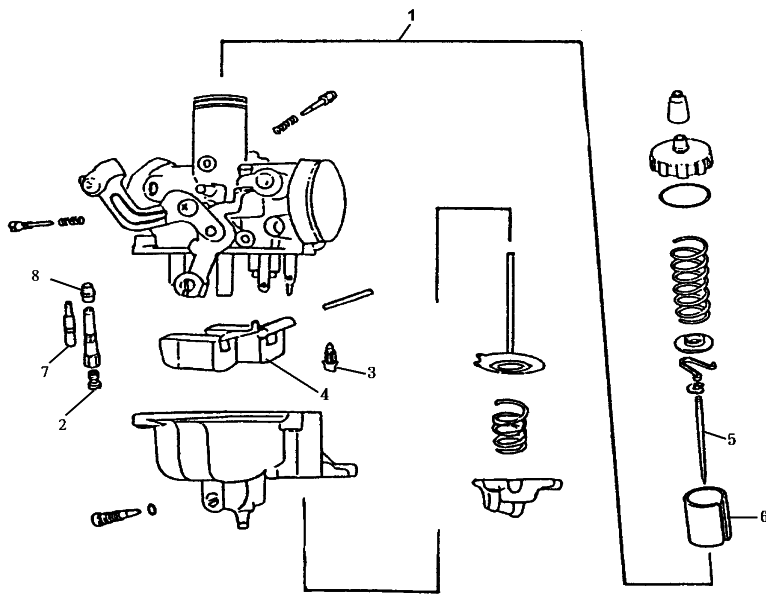


E-09-01	32104009360001	MAIN SHAFT,TRANSMISSION(13T)	1
E-09-02	32104009370001	COUNTER SHAFT,TRANSMISSION	1
E-09-03	32104009030001	COUNTER SHAFT,LOW GEAR(36T)	1
E-09-04	32104009380001	GEAR,M.S.SECOND(18T)	1
E-09-05	32104009390001	GEAR,C.S.SECOND(31T)	1
E-09-06	32104009400001	GEAR,M.S.THIRD(22T)	1
E-09-07	32104009410001	GEAR,C.S.THIRD(28T)	1
E-09-08	32104009420001	GEAR,M.S.FOURTH(25T)	1
E-09-09	32104009430001	GEAR,C.S.FOURTH(25T)	1
E-09-10	32104009440001	GEAR COMP,STARTER(19T)	1
E-09-12	32104009450001	GEAR ,IDLE STARTER(29T)	1
E-09-14	32104009460001	COLLAR A,GEAR	1
E-09-15	32104009470001	COLLAR B,GEAR	1
E-09-16	32104009480001	COLLAR,IDLE STARTER GEAR	1
E-09-18	32104009490001	COLLAR,C-L	1
E-09-27	50102001500002	WASHER,THRUST 15mm	1
E-09-28	50102001500002	WASHER,THRUST 15mm	1
E-09-29	50102001600003	WASHER,THRUST 16.5mm	2
E-09-30	50102002000003	WASHER A,THRUST 20mm	1
E-09-32	50102002000004	WASHER,THRUST 20mm	1
E-09-33	50102002000005	WASHER,SPLINE 20mm	3

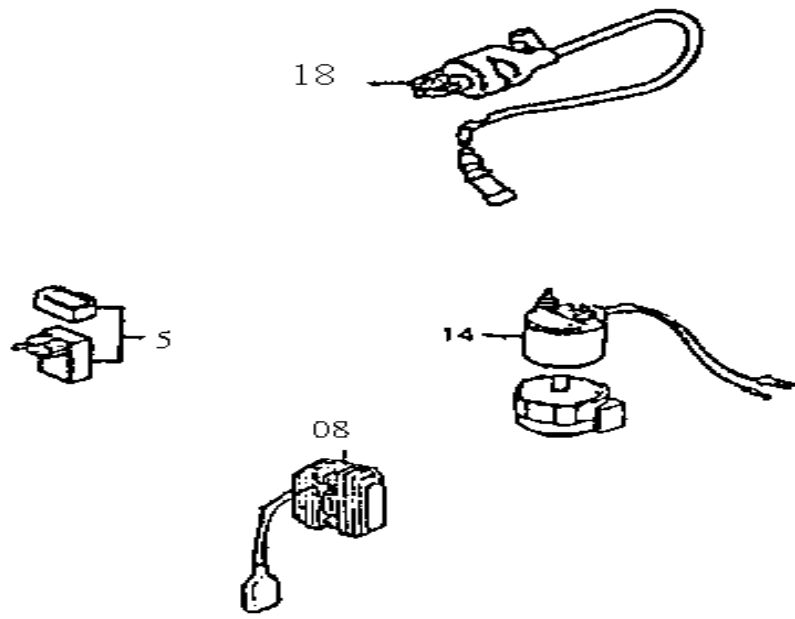
E-09-36	50101602500001	CIR CLIP,25mm	1
E-09-37	50101602000001	SET RING,20mm	3
E-09-38	50200203400001	OIL SEAL , 20*34*7	1
E-09-43	50300103000001	BEARING, RADIAL BALL 6006	1
E-09-44	50300102000001	BEARING, RADIAL BALL 6204	1
E-09-45	50300101500001	BEARING, RADIAL BALL 6202ZE	1
E-09-51	32104009330003	SHAFT ASS'Y,MAIN TRANSMISSION	1
E-09-52	32104009340003	SHAFT ASS'Y,COUNTER TRANSMISSION	1



E-10-01	32104010010001	FORK, R. GEAR SHIFT	1
E-10-02	32104010020001	FORK, CENTER GEAR SHIFT	1
E-10-03	32104010030001	SHAFT, GEAR SHIFT FORK GUIDE	1
E-10-06	32104010060001	STOPPER COMP., GEAR SHIFT DRUM	1
E-10-07	32104010070001	SPRING, SHIFT DRUM STOPPER	1
E-10-08	32104010080001	SPINDLE COMP., GEAR SHIFT	1
E-10-09	32104010190001	PLATE,GEAR SHIFT	1
E-10-10	32104010200001	SPRING GEAR SHIFT PLATE	1
E-10-11	32104010210001	SPRING GEAR SHIFT RETURN	1
E-10-12	32104010120001	ROTOR, NEUTRAL SWITCH	1
E-10-13	50102001400002	WASHER,THRUST 14mm	2
E-10-14	50100506020001	BOLT, HEX 6X20	1
E-10-15	50100506025003	BOLT, HEX 6X25	1
E-10-16	32104010220001	CIR CLIP,EXTERNAL 12	1
E-10-17	32104010230001	CIR CLIP,EXTERNAL 14	1
E-10-18	32104010150001	ROLLER, 4X10	1
E-10-19	32104010160001	FORK, L. GEAR SHIFT	1
E-10-22	32104010040003	DRUM, GEAR SHIFT	1
E-10-23	32104010040004	CAM, GEAR SHIFT(HITACH)	1



E-11-01	32105011010001	CARBURETOR	1
E-11-02	32105011020001	MAIN JET , #105	1
E-11-03	32105011030001	NEEDLE VALVE	1
E-11-04	32105011040001	FLOAT	1
E-11-05	32105011050001	NEEDLE (F2348F)	1
E-11-06	32105011060001	NEEDLE VALVE PISTON	1
E-11-07	32105011070001	SLOW JET , #38	1
E-11-08	32105011080001	NEEDLE SEAT	1



E-18-05	32105013010001	UNIT ASSY, C.D.I.	1
E-18-08	32105013020002	REG. RECT. COMP.	1
E-18-14	32104013050001	SWITCH ASSY, STARTER MAG	1
E-18-18	32105018010001	COIL COMP.,(C.D.I.)IGN	1